

DSSE

PRODUCT MANUAL



MONTE CARLO BROW CHAIR TC11

The Perfect Seat For Every Brow Queen.

The Monte Carlo combines strength, precision, and style in a reclining chair built for professional use. A supportive backrest, weighted chrome base, and smooth hydraulic system ensure stability and control, while padded armrests, 45° recline, and an adjustable headrest deliver comfort and versatility. The Monte Carlo isn't just a chair, it's a statement of durability, refinement, and professional performance.

Disclaimer

This manual is provided solely as a reference for the safe and proper operation of this model and must not be used for any other purpose. DSSE accepts no liability for any incidental, indirect, or consequential damages arising from the use of this manual or the equipment described.

The information contained herein is subject to change without notice and does not constitute a commitment by DSSE. While every effort has been made to ensure accuracy, DSSE assumes no responsibility for errors or omissions, nor any expressed or implied warranties, including but not limited to merchantability or fitness for a particular purpose. All content is protected by copyright law and may not be copied, reproduced, distributed, or translated, in whole or in part, without prior written authorisation from DSSE.

General Cleaning

- ▮ Routine care – Dust regularly with a soft, dry cloth to prevent buildup.
- ▮ Mild cleaning – Use a damp cloth with mild soapy water for most surfaces. Wipe dry immediately with a clean cloth.
- ▮ Avoid abrasive materials or harsh cleaners, as they may damage the surface.
- ▮ Test first – Always test any new cleaning product on a small, hidden area before full use.

Safety Information

- ▮ Do not allow children near the equipment. Always store and operate it in a safe, supervised environment.
- ▮ The product must only be used for its designed purpose. Misuse may result in injury or damage.
- ▮ Do not exceed the recommended weight limits. Overloading may cause instability, mechanical failure, or accidents.
- ▮ Do not enter or exit the chair by stepping on the footrest.
- ▮ Stable placement – Use only on a flat, level surface.
- ▮ Assembly and maintenance – Ensure all parts are correctly assembled and regularly check that fasteners are secure.
- ▮ Do not modify, open, or tamper with the product.
- ▮ This product must only be operated by trained personnel.

Maintenance

- ▮ Regularly inspect all components and fasteners to ensure your product remains structurally sound and fully functional.
- ▮ Replace any damaged, worn, or missing components immediately.
- ▮ All maintenance should be carried out by a suitably qualified technician or tradesperson.
- ▮ Only resume use after proper troubleshooting.
- ▮ Keep moving parts (e.g., wheels, gas lifts) clean and free from dust, hair or debris to ensure smooth operation.
- ▮ Use only manufacturer-approved replacement parts to maintain product safety and warranty coverage.

WARRANTY PERIOD

STANDARD: **1 YEAR** | VINYL: **2 YEARS** | PUMP: **2 YEARS**

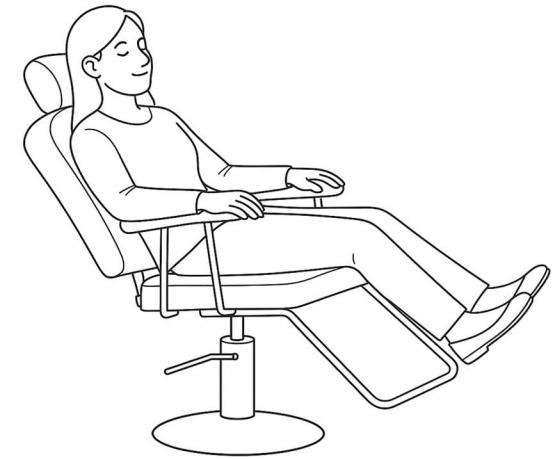
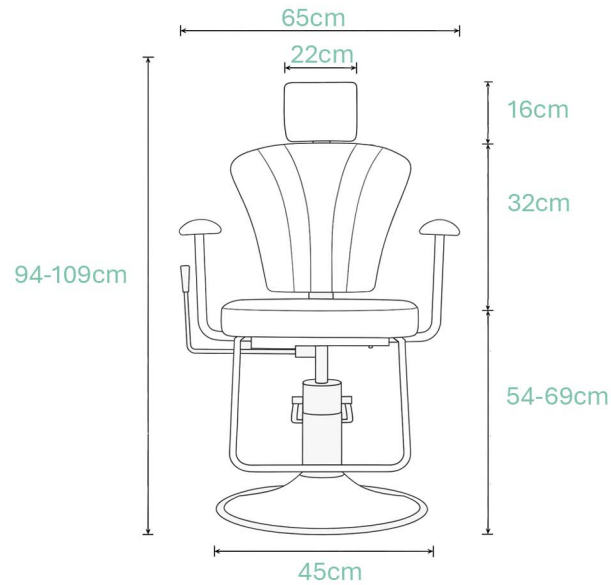
For more information about our warranty, please refer to our website.

DSSE

Australia: www.dsse.com.au
United Kingdom: www.dssebeauty.co.uk
Europe: www.dsseworld.com

Product Specifications

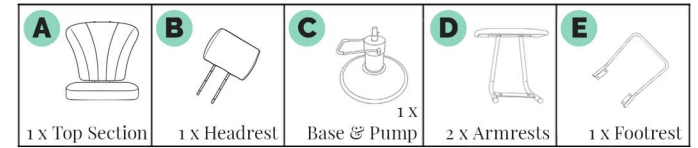
Height:	94-109cm
Total Width:	65cm
Seat Width:	55cm
Depth (without recline):	62cm
Depth (with recline):	119cm
Backrest Recline:	45°
Base Circumference:	60cm
Net Weight:	40 kg
Gross Weight:	48 kg
Maximum Seating Capacity:	150 kg



! SAFETY WARNING: Maximum seating weight 150 kgs.

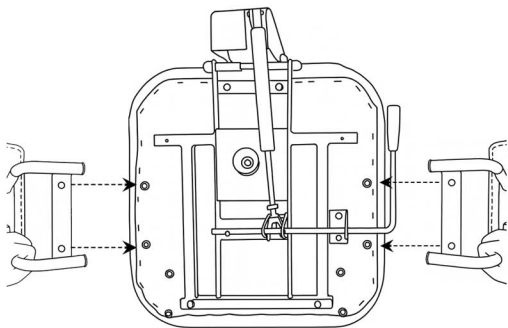
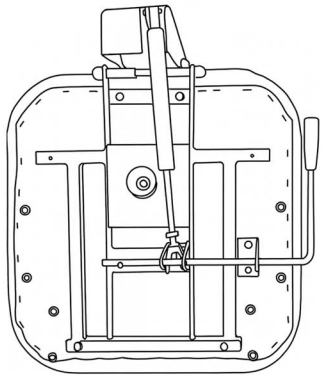


Installation Preparation: Before beginning assembly, place the brow chair on a stable, clean surface and ensure all parts are present.



STEP 1

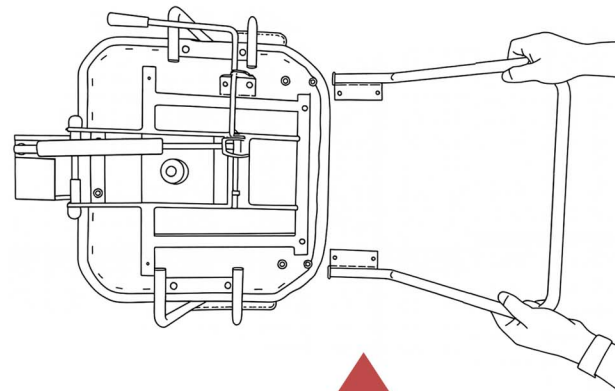
Flip the chair top (A) upside down and place it on a stable, clean surface for assembly.



STEP 3

Remove the four screws, insert the footrest (E), and retighten.

Note: You may need to push the footrest slightly to align the holes.



STEP 2

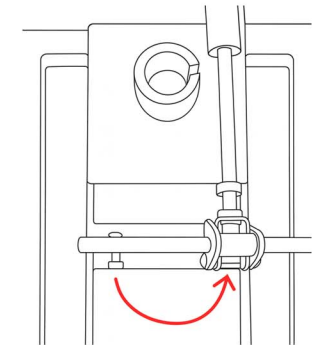
Remove the screws using an Allen key, attach the armrests (D) on both sides, then reinsert and tighten the screws.



Warning: Take care when tightening screws to avoid cross-threading.

STEP 4

Remove the screw and bolt from the reclining handle. Slide the recline bar over until the screw hole aligns correctly with the bracket. Once aligned, reinsert the screw and bolt, then tighten securely.



STEP 5

Lift the seat and place it onto the pump cylinder (C).

Note: The pump pin does not need to be fully inserted. Once the chair is properly seated and stable, the weight applied during use will naturally secure and lock it into place over time.



SAFETY WARNING: Ensure customers never step on the footrest when entering or exiting the chair, as this may result in injury to the person or damage to the unit. Keep children away from this chair at all times due to moving and reclining components.