

DSSE

PRODUCT MANUAL



RIVIERA ELECTRIC RECLINER HB030

Intelligent Comfort with a Designer Edge

The Riviera Electric Recliner is designed to deliver a luxurious and deeply relaxing wash experience.

Combining refined modern styling with premium functionality, it features a fully motorised legrest recline operated via a discreet control button built into the side armrest.

A high-gloss ceramic wash basin with a smooth tilt mechanism allows for effortless positioning and enhanced client comfort. Designed for professional salon environments, the Riviera Electric Recliner offers the perfect balance of comfort, durability, and sophisticated contemporary design.

Introduction

This manual is intended solely as a reference for the operation of this specific model. DSSE assumes no responsibility or liability for any consequences resulting from its use for other purposes. All information contained in this manual is protected by copyright and may not be copied, reproduced, or translated, in whole or in part, without the prior written consent of our company.

Safety Instructions

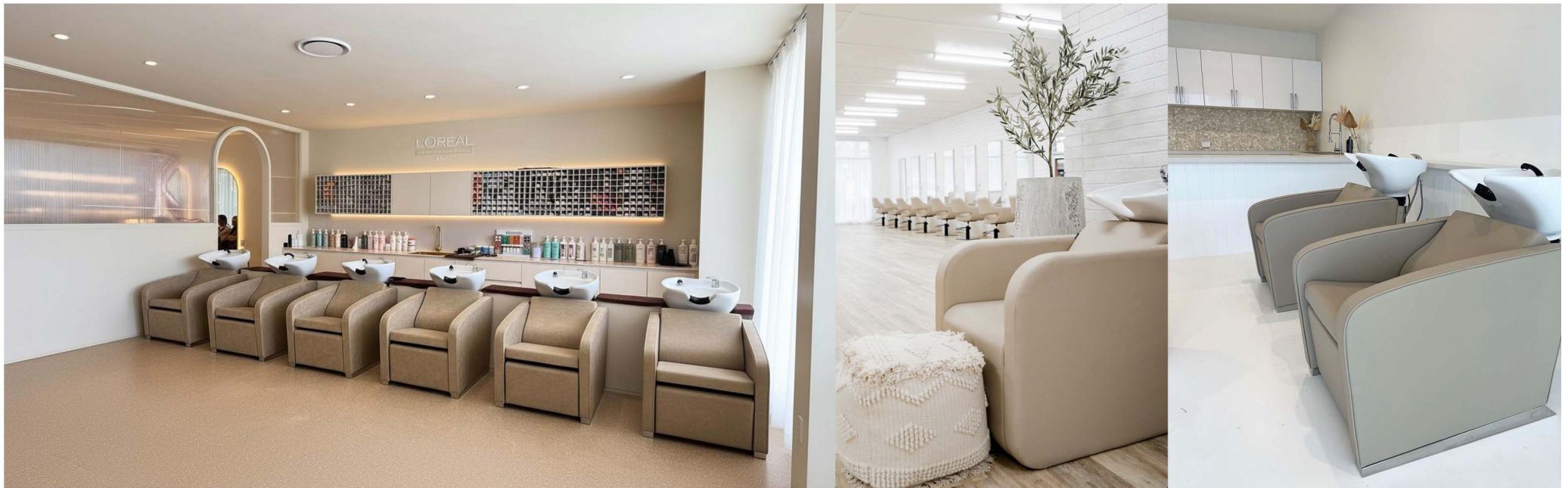
- Always turn off the water supply and electrical connections (if applicable) before performing maintenance or cleaning the shampoo unit.
- All plumbing installation and connections must be performed by a licensed and qualified plumber.
- Do not stand or place weight on the basin, footrest, or armrests.
- Keep children away from the unit; never allow them to sit, play, or operate any moving parts.
- Do not install or use the unit in excessively damp areas or areas prone to flooding, as this may cause malfunction or electrical risk.
- Avoid using the shampoo unit in environments where painting, coating, or chemical fumes are present.
- Only qualified personnel or trained salon staff may operate the unit. Individuals with physical disabilities or limited mobility should not attempt to adjust electric or moving components without supervision.
- If the water hoses, tapware, power cord, or basin fittings are damaged, contact your distributor or a certified technician for repair.
- Ensure no objects, bags, or tools obstruct the reclining motion or leg-rest extension (if applicable).
- All servicing and maintenance must be performed by trained professionals only.

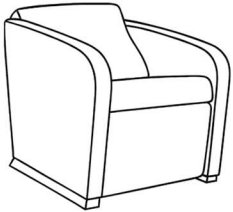
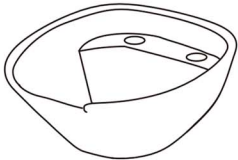
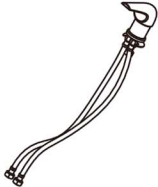
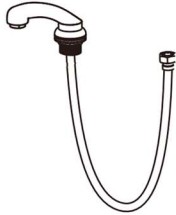
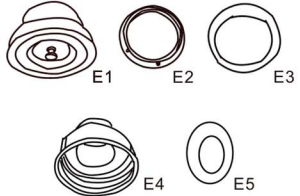
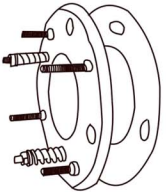
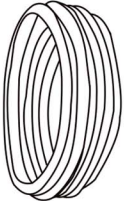

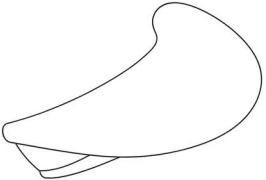
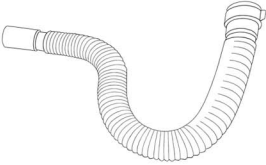
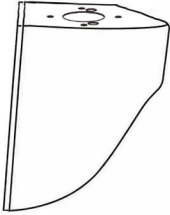
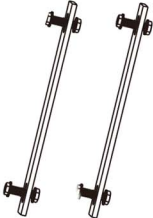

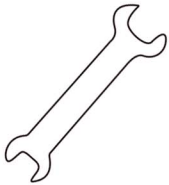
Precautions

- The shampoo unit should be operated only by trained salon personnel familiar with its structure, plumbing, reclining system, and safety functions.
- Read this manual carefully before installation, operation, and adjustment. Keep it for future reference.
- All plumbing installation and water connections must be completed by a licensed and qualified plumber.
- Do not overload or apply single-point pressure to the basin or chair.
- Regularly tighten bolts, basin fittings, tapware connections, and structural screws to prevent loosening or leaks.
- Do not disassemble plumbing, basin tilt mechanisms, or electrical parts without proper authorization. parts without proper authorization.
- If unusual noises, water leaks, electrical issues, or abnormal movement occur, stop using the unit immediately and inspect the issue or contact a technician.
- Only continue usage after the unit has been correctly serviced or repaired.
- For electric shampoo units: ensure the power cord is connected to a properly grounded outlet.
- Observe all warning labels on the product.
- When adjusting the recline or leg rest (manual or electric), ensure the client is seated properly and all body parts are clear of moving sections.
- Avoid continuous motor operation on electric recliners; allow cool-down periods to prevent overheating (follow model-specific timing guidelines).
- Clean stains and water residue immediately using a neutral cleaner after each client to protect the upholstery and prevent wear.

Product Specifications

Height (total):	97cm
Height (seat):	41cm
Width:	70cm
Inner Seat Width:	55cm
Length without recline:	118cm
Length with recline:	150cm
Backrest Height:	75cm
Seat Height:	41cm
Net Weight:	58 kg
Gross Weight:	77 kg
Maximum Weight Capacity:	180 kg



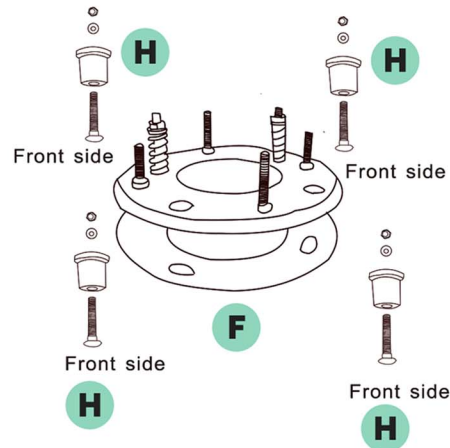
<p>A</p>  <p>1x Shampoo Chair</p>	<p>B</p>  <p>1x Ceramic Basin</p>	<p>C</p>  <p>1x Faucet</p>	<p>D</p>  <p>1x Shower Head</p>	<p>E</p>  <p>1x Drainer</p>
<p>F</p>  <p>1x Tilt Mechanism</p>	<p>G</p>  <p>1x Tilt Mechanism Cover</p>	<p>H</p>  <p>1x Screw Set</p>	<p>I</p>  <p>1x Neck Rest</p>	<p>J</p>  <p>1x Flexible Hose</p>
<p>K</p>  <p>1x Pedestal</p>	<p>L</p>  <p>2x Pedestal Brackets</p>	<p>M</p>  <p>1x Round Gasket</p>	<p>N</p>  <p>1x Spanner</p>	



PLEASE READ: Government legislation requires all fixed plumbing appliances sold by DSSE to be installed by a fully qualified licensed plumber in accordance with the regulations set out by all local & regional authorities. Failure to comply with the above will void all warranties.

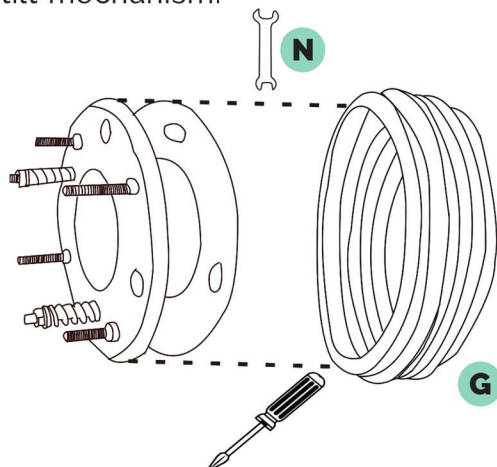
STEP 1 Tilt Mechanism Installation

Install the screws and 4 x rubber grommets to tilt mechanism (F) as shown below.



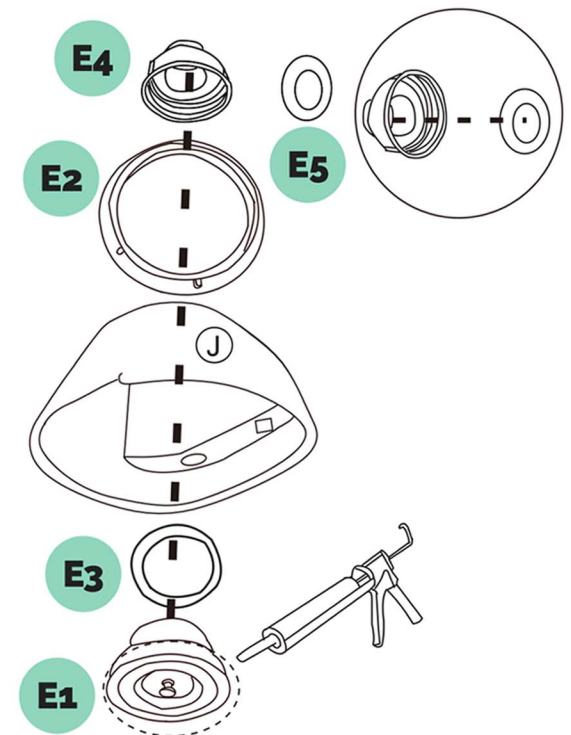
STEP 2

Use a screwdriver and the spanner (N) provided to install the rubber cover (G) over the tilt mechanism.



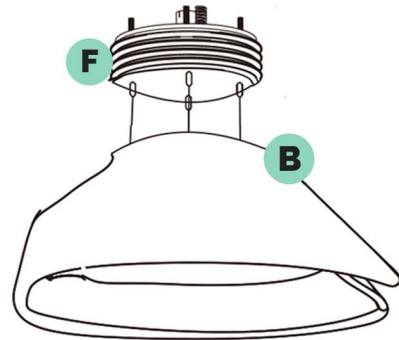
STEP 3 Drainer (plug and waste) installation

Apply silicone glue evenly over the threaded section of the drainer (E1). Attach Drainer Accessory (E3) to the top threaded section, followed by Drainer Accessory (E2) on the middle thread, and Drainer Accessory (E4) on the lower thread of the drainer (E1). Once all components are securely fitted, insert the assembled drainer into the basin (B), ensuring the moving part sits correctly in place. Then install the flexible hose (J) to the end of the drainer.



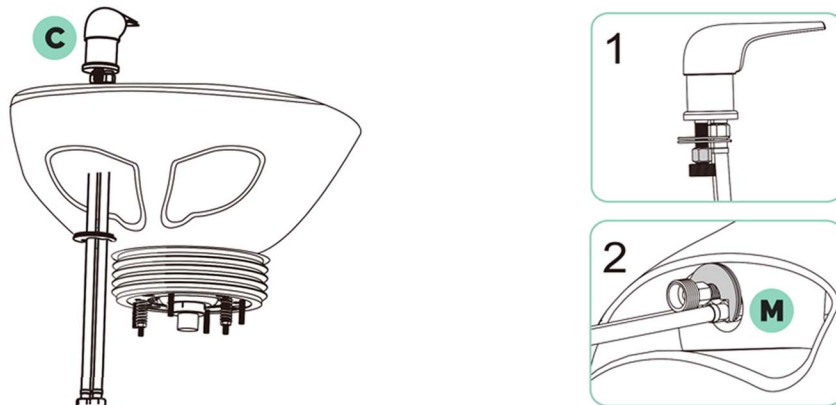
STEP 4

Carefully turn the basin (**B**) upside down and insert the tilt mechanism (**F**) by placing the four rubber grommets into the holes underneath. Ensure it is correctly oriented for the pedestal (**K**), then use the spanner (**N**) to tighten the four bolts, expanding the grommets and securing the mechanism to the basin.



STEP 5

Insert the faucet (**C**) into the basin and slightly loosen the nuts as shown in Figure 1. Position the round gasket (**M**) onto the faucet and then tighten the nuts securely to fix the faucet in place.



STEP 6 Install the Shower Head Hose

Insert the shower hose (**D**) through the basin's upper hose opening, then connect the lower end of the hose to the diverter outlet on the faucet (**C**). Tighten the connection securely by hand and finish with a light turn of a wrench.

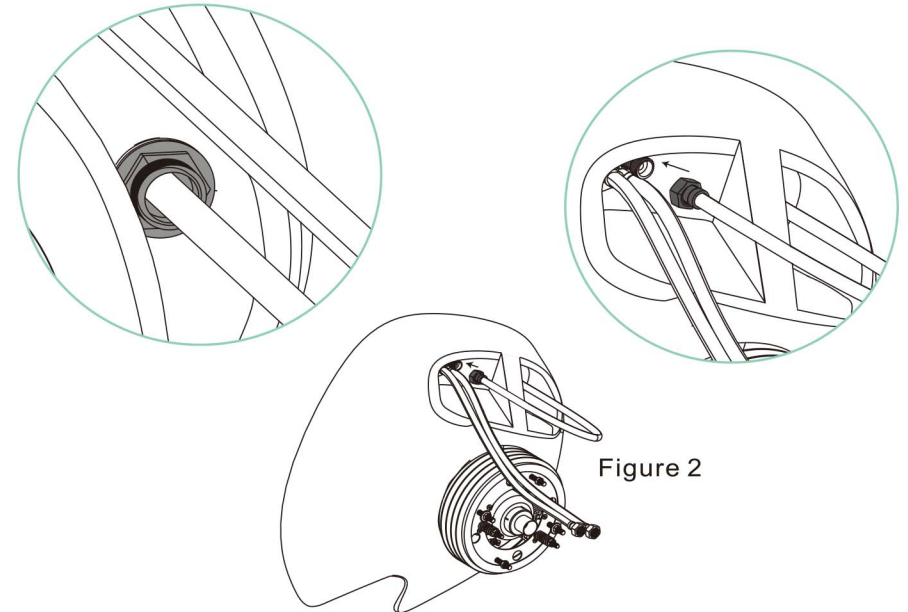
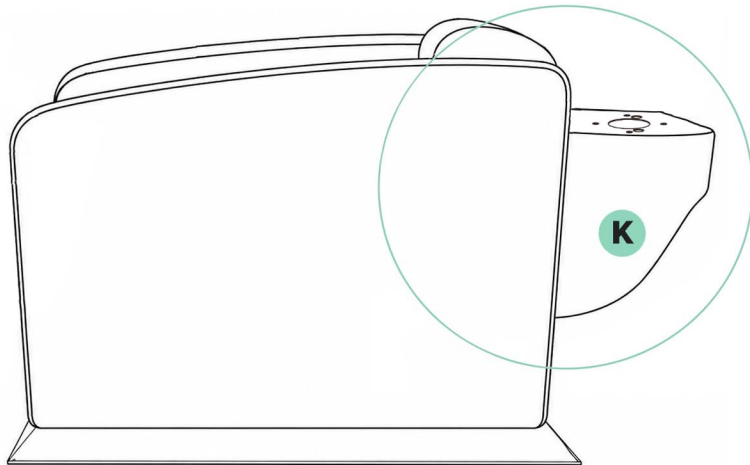
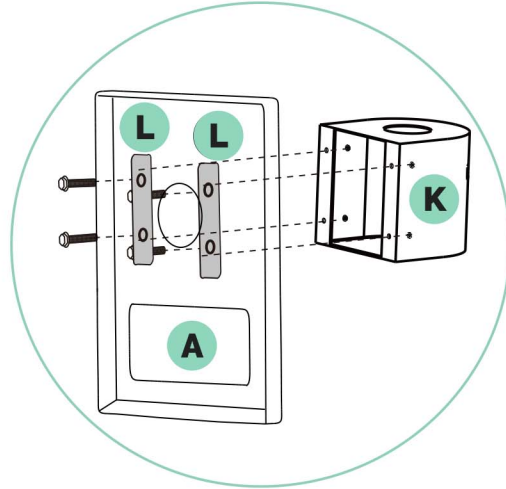


Figure 2

STEP 6 Pedestal Installation

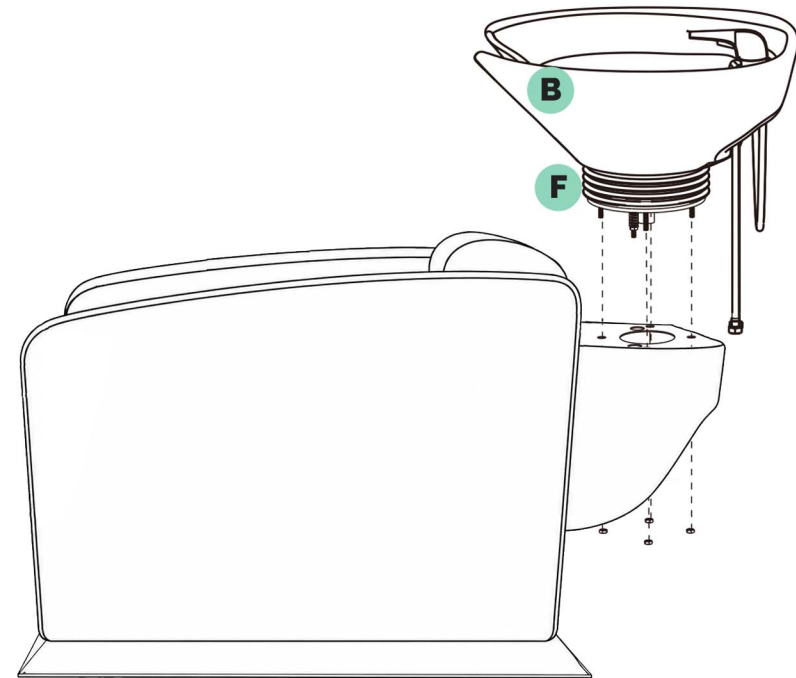
Install the basin pedestal (**K**) to the chair body with the pedestal brackets (**L**) as shown below.

**STEP 6** Installing the Basin to the Chair

Ensure all four sets of nuts and gaskets are removed from the tilt mechanism (**F**).

Position the basin (**B**) so the screws pass through the holes in the pedestal.

Once aligned, reinstall the gaskets and nuts onto the screws from underneath the tilt mechanism, tightening them securely using the spanner (**N**).



Upholstery Care Guide

A well-designed wash station is an essential part of any modern salon or barbershop. To keep it performing at its best, it's important to give the unit regular care and attention. Proper maintenance not only protects your investment but also ensures smooth operation, safety, and a consistently comfortable experience for every client.

General Care Tips

Maintain a stable temperature:

- Cold can lead to vinyl cracking
- Heat may cause permanent stretching

Keep out of direct sunlight for long periods to prevent fading and damage. Regular housekeeping helps preserve comfort and appearance.



Cleaning Instructions

Remove any colour dye, tint, or chemical spills immediately to minimise the risk of permanent staining

Use a colorfast cloth dampened with lukewarm water and mild, alkaline-free soap

Avoid soaking the material

Wipe off any soap with fresh water and a clean cloth

Dry thoroughly with a soft, dry cloth

Avoid harsh chemicals: Do not use bleach, acetone, ammonia-based cleaners, or abrasive powders, as these can damage the vinyl and basin finish.



Avoid Using These Products

- Hot or boiling water
- Alcohol or hydrocarbon-based cleaners
- Acetone
- Bleach or harsh detergents
- Furniture polish
- Abrasive powders, pastes, or steel wool
- Silicone or petroleum-based products
- Solvent-based or abrasive cleaning agents

Italian Made Tapware

Our hairdressing faucets are produced by a specialist European manufacturer with over 25 years of industry experience. Each unit is designed to be ergonomic, compact, and highly practical for everyday salon use.



Manufactured in Italy using certified European materials, every faucet is pressure-tested in-house at 6 BAR to ensure long-term reliability and performance.

ALL FAUCETS INCLUDE A 3-YEAR GUARANTEE.

WARRANTY PERIOD

STRUCTURE: 5 YEARS | VINYL/MOTOR: 2 YEARS | TAPWARE: 3 YEARS

For more information about our warranty, please refer to our website.

DSSE

Australia:

www.dsse.com.au

United Kingdom:

www.dssebeauty.co.uk

Europe:

www.dsseworld.com